

# 2004 SONY MOBILE PRODUCT GUIDE



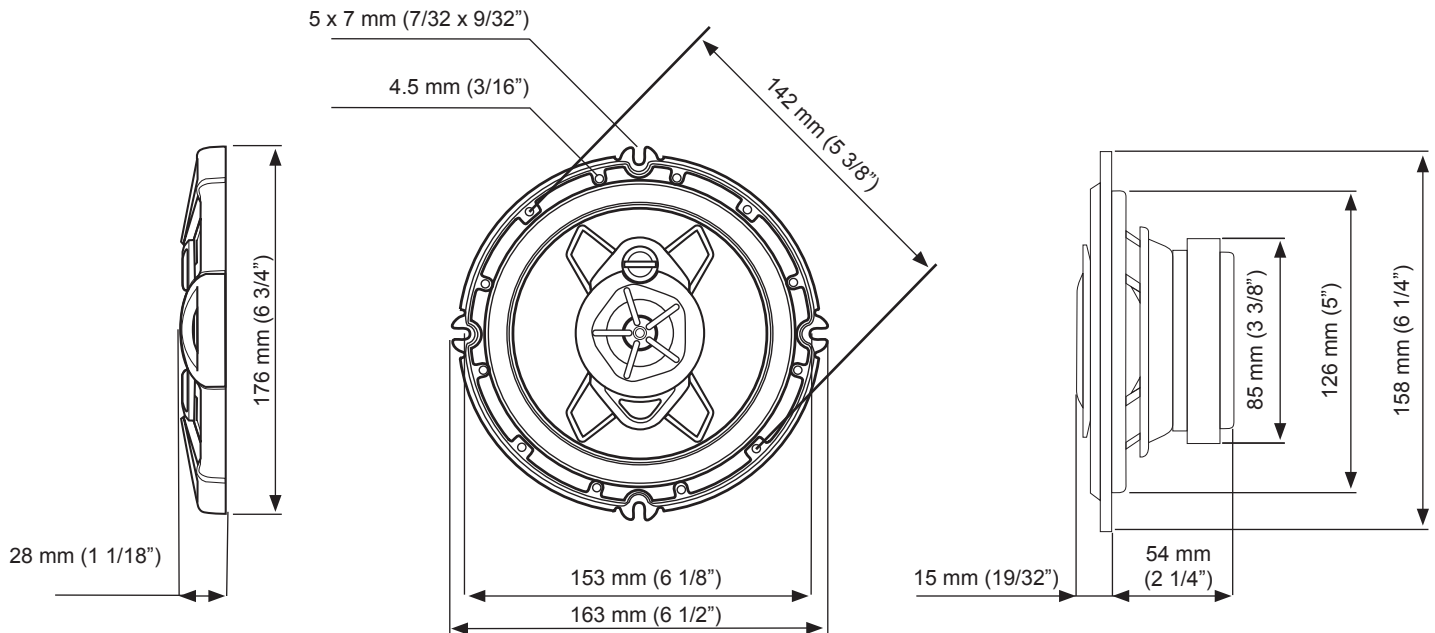
- 6-1/2" HOP woofer cone
- 1-3/16" Nano-fine mid
- 7/16" dome tweeter
- 250W peak power (65W RMS)
- Flexible mounting options

## XS-V1635X 3-Way Speaker

### Specifications

Speaker	Coaxial 3-way Woofer 16 cm (6 3/8 in.) cone type Midrange 3.0 cm (1 3/16 in.) balance dome type Tweeter 1.1 cm (13/32 in.) dome type
Peak Power	250 watts
Rated Power	65 watts
Impedance	4 ohms
Sensitivity	91 dB/W/m
Frequency response	30 - 30,000 Hz
Mass	Approx. 1,050 g (2 lb 6 oz) per speaker

### Dimensions



Design and Specifications subject to change without notice.

**SONY**